

DESCRIPTION:

AMC MODEL SWN-2184-1DR OPTIONS: A02, B08, HS2NS, IS A SINGLE POLE SINGLE THROW, REFLECTIVE SWITCH MODULE WITH LOW INSERTION LOSS, HIGH ISOLATION, HIGH SPEED AND WITH INTEGRAL TTL DRIVER, DESIGNED FOR 0.5 GHZ TO 18 GHZ OPERATION.

SPECIFICATIONS:

- FREQUENCY: 0.5 GHZ TO 18 GHZ
- INSERTION LOSS: 3.5dB MAXIMUM
- ISOLATION: 0.5 GHZ TO 2 GHZ: 60dB
2 GHZ TO 18 GHZ: 70dB
- VSWR: REFLECTIVE IN/OUT: 2.0:1
ABSORPTIVE IN/OUT: 2.0:1
ABSORPTIVE OUT/OFF: 2.0:1
- SPEED: RISE: 2ns MAX.
FALL: 2ns MAX.
DELAY ON: 75ns TYPICAL, 100ns MAX.
DELAY OFF: 75ns TYPICAL, 100ns MAX.
- POWER INPUT: (CW)+20dBm (STANDARD), +10 dBm (HIGH SPEED)
- SURVIVAL POWER: 1 WATT CW, 10 WATTS PEAK 1 usec
- CONTROL: TTL LOGIC "0"=ON "1"=OFF
- POWER SUPPLY: +5V @ 70 mA MAX.
-5V @ 50 mA MAX.(RELECTIVE)
100mA MAX.(ABSORPTIVE/NON-REFLECTIVE)

OPTIONS:

- A02 100 OHM CONTROL IMPEDANCE
- B08 LOW VIDEO TRANSIENTS - SPECIFY VIDEO BANDWIDTH
- HS2NS 2ns RISE/FALL TIMES

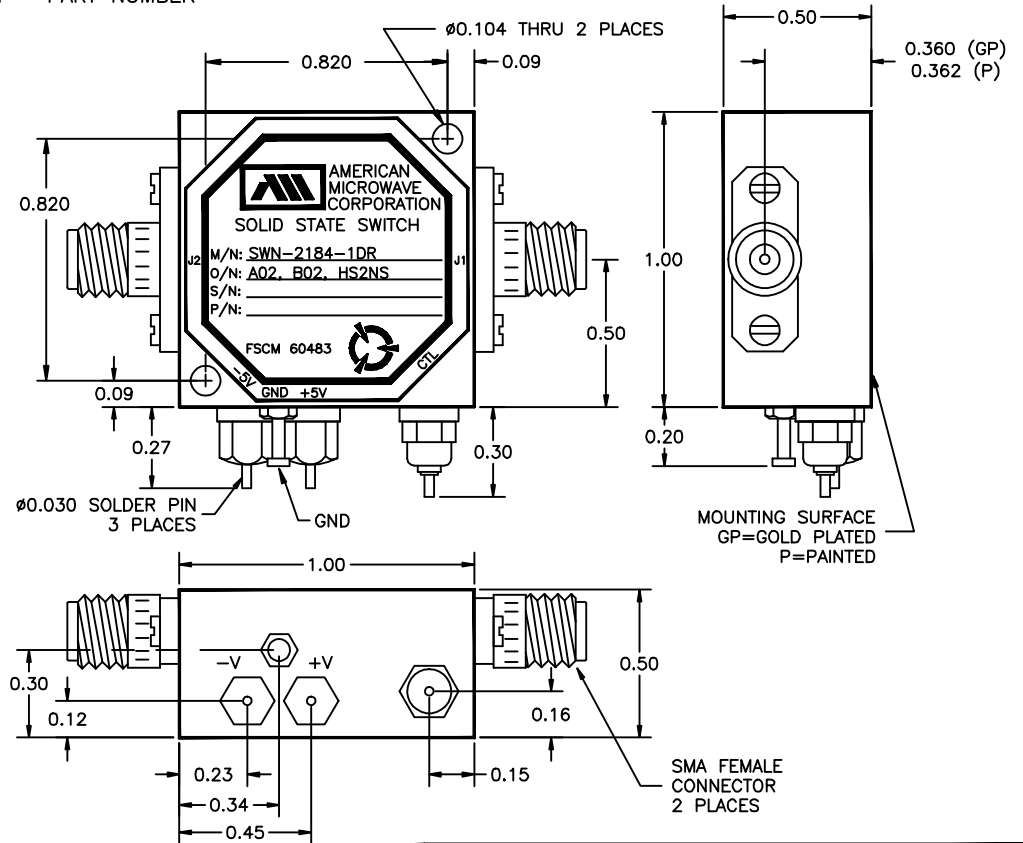
ENVIRONMENTAL RATINGS:

- TEMPERATURE: -55°C TO +85°C (OPERATING)
-65°C TO +125°C (STORAGE)
- HUMIDITY: MIL-STD-202F, METHOD 103B COND. B
- SHOCK: MIL-STD-202F, METHOD 213B COND. B
- VIBRATION: MIL-STD-202F, METHOD 204D COND. B
- ALTITUDE: MIL-STD-202F, METHOD 105C COND. B
- TEMPERATURE CYCLE: MIL-STD-202F, METHOD 107D COND. A

NOTE: SPECIFICATIONS WILL VARY OVER TEMPERATURE
NOTE: THE ABOVE SPECIFICATIONS ARE SUBJECT TO CHANGE OR REVISION

REVISIONS				
ZONE	REV.	DESCRIPTION	DATE	APPROVED
	-	ORIGINAL RELEASE JOB# 611207X-2	12/06/06	

AT = WITH DRIVER, NON-REFLECTIVE/ABSORPTIVE
M/N = MANUFACTURER PART NUMBER
O/N = OPTION NUMBER
S/N = SERIAL NUMBER
P/N = PART NUMBER



AMERICAN MICROWAVE CORPORATION

7311-G GROVE ROAD
FREDERICK, MARYLAND 21704 USA
TEL: 301-662-4700 FAX: 301-662-4938
WEBSITE: www.americanmicrowavecorp.com
E-MAIL: sales@americanmicrowavecorp.com
ISO 9001:2000 CERTIFIED



APPROVALS		DATE	TITLE	
DRAWN <i>PRB</i>		12/06/06	PRODUCT FEATURE SWN-2184-1DR OPT: A02, B08, HS2NS 0.5 TO 18 GHZ SPST SWITCH	
REDRAWN			SIZE	REV.
ISSUED			A	-
FSCM NO.		DWG NO.		
60483		100-5652-003		
SCALE N:S			SHEET 1 OF 4	

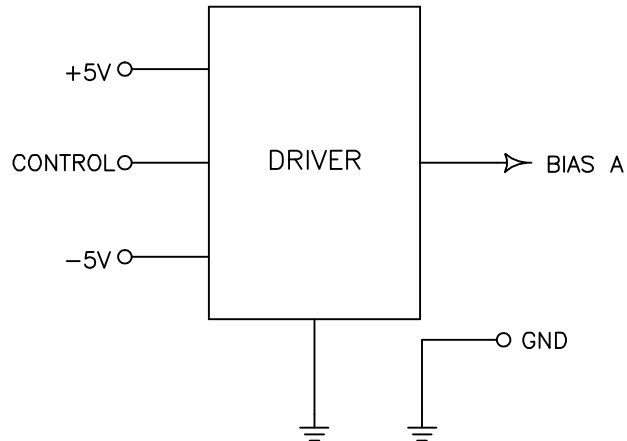
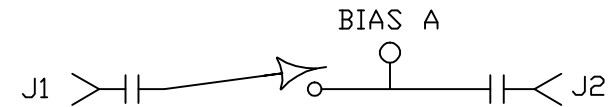
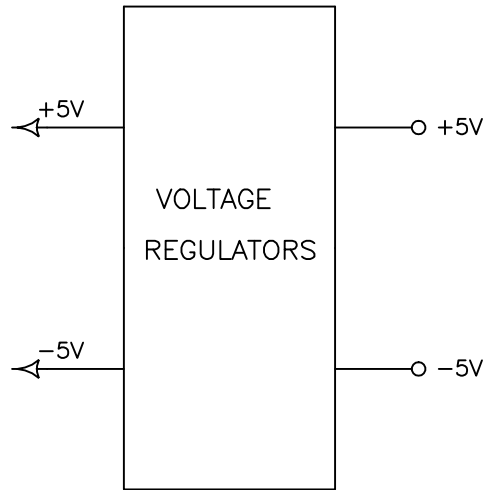
ALL DIMENSIONS ARE IN INCHES
TOLERANCES:
X.XX ±0.010
X.XXX ±0.005

DESCRIPTION:

AMC MODEL SWN-2184-1DR OPTIONS: A02, B08, HS2NS, IS A SINGLE POLE SINGLE THROW, REFLECTIVE SWITCH MODULE WITH LOW INSERTION LOSS, HIGH ISOLATION, HIGH SPEED AND WITH INTEGRAL TTL DRIVER, DESIGNED FOR 0.5 GHZ TO 18 GHZ OPERATION.

REVISIONS				
ZONE	REV.	DESCRIPTION	DATE	APPROVED
	-	ORIGINAL RELEASE JOB# 611207X-2	12/06/06	

FUNCTIONAL BLOCK DIAGRAM



AMERICAN MICROWAVE CORPORATION

7311-G GROVE ROAD
 FREDERICK, MARYLAND 21704 USA
 TEL: 301-662-4700 FAX: 301-662-4938
 WEBSITE: www.americanmicrowavecorp.com
 E-MAIL: sales@americanmicrowavecorp.com
 ISO 9001:2000 CERTIFIED



ALL DIMENSIONS ARE IN INCHES
 TOLERANCES:
 X.XX ±0.010
 X.XXX ±0.005

APPROVALS		DATE		TITLE			
DRAWN <i>PRB</i>		12/06/06		FUNCTIONAL BLOCK DIAGRAM SWN-2184-1DR			
REDRAWN				OPT: A02, B08, HS2NS 0.5 TO 18 GHZ SPST SWITCH			
ISSUED				SIZE	FSCM NO.	DWG NO.	REV.
				A	60483	100-5652-003	-
				SCALE	N:S		SHEET 3 OF 4